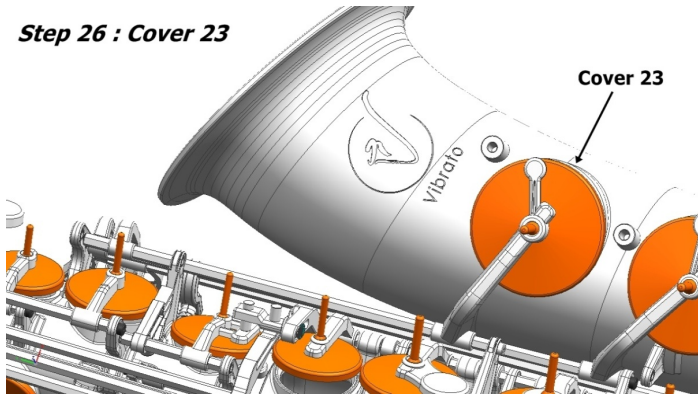
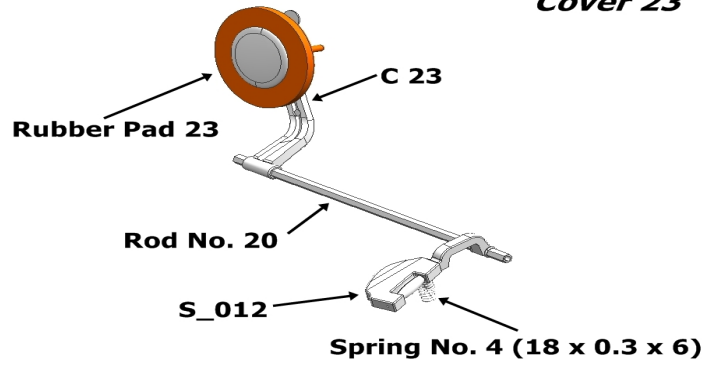


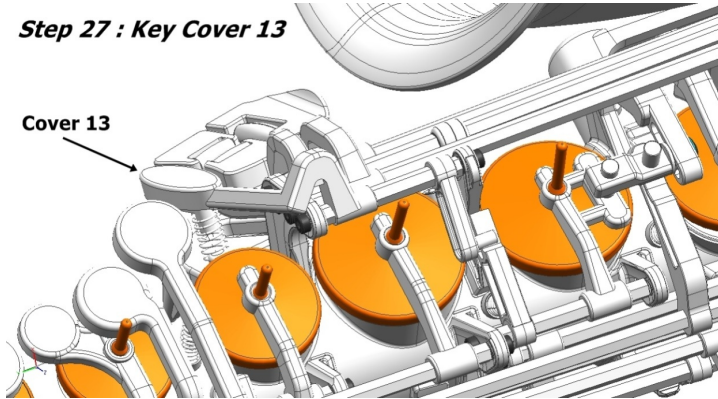
Step 26 : Cover 23



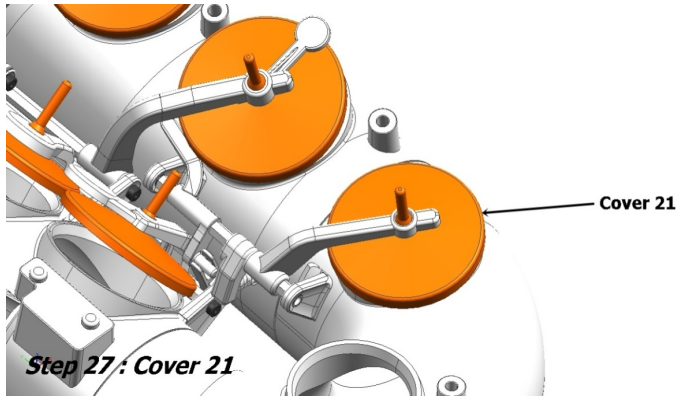
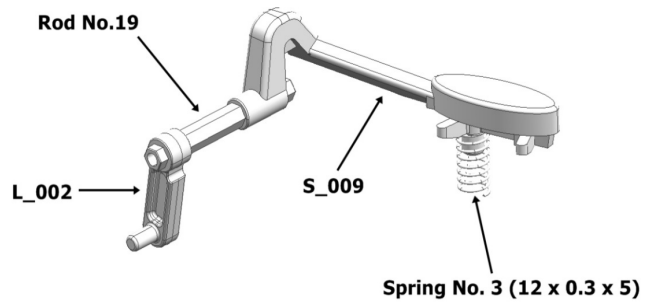
Cover 23



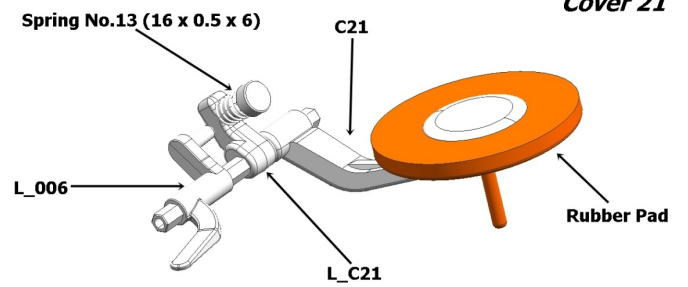
Step 27 : Key Cover 13



Cover 13



Cover 21



Axle of Cover 19 and Cover 20



Use the Axle to connecting inside the rod of cover 19 and 20.