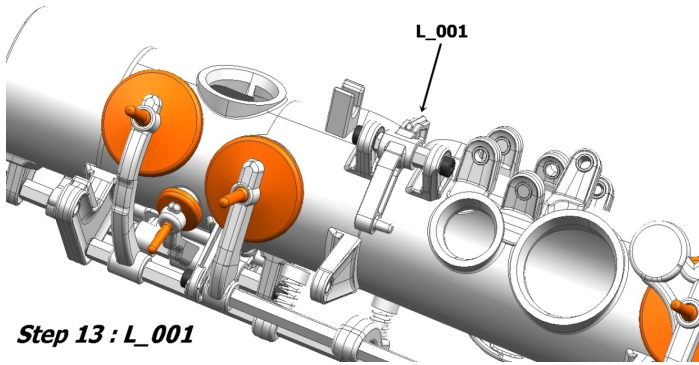
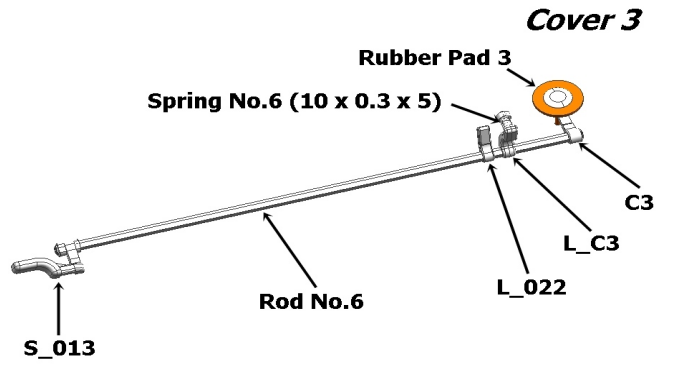
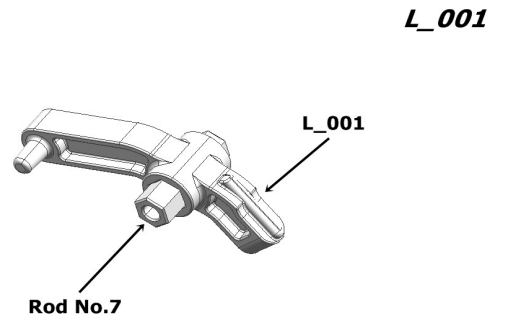


Step 12 : Cover 3



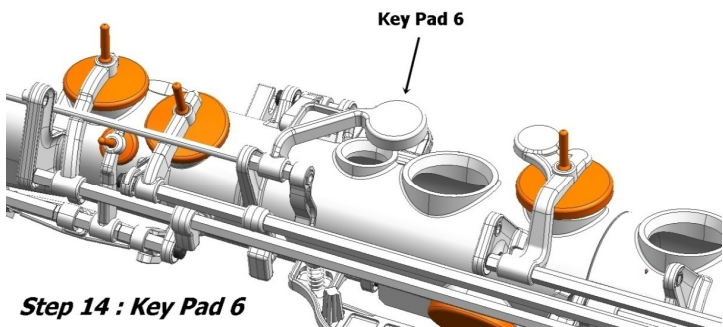
Step 13 : L_001



Axle Of Cover 6, 7, 10



Use this axle to connecting inside the rod of cover 6, 7 and 10



Step 14 : Key Pad 6

