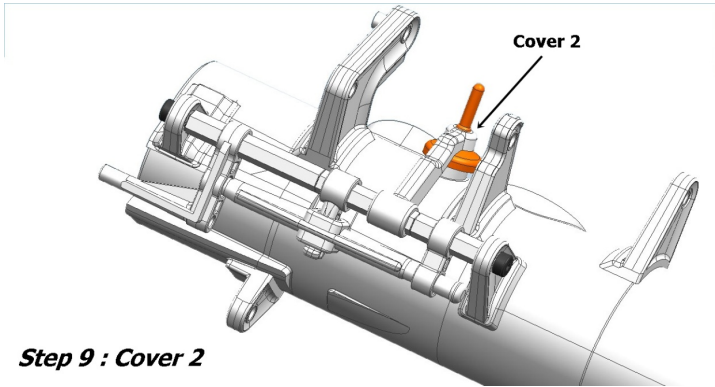


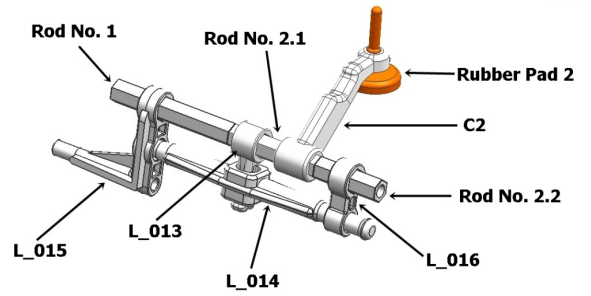
Cover 2



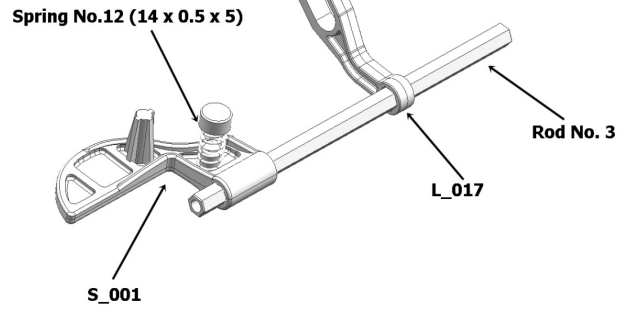
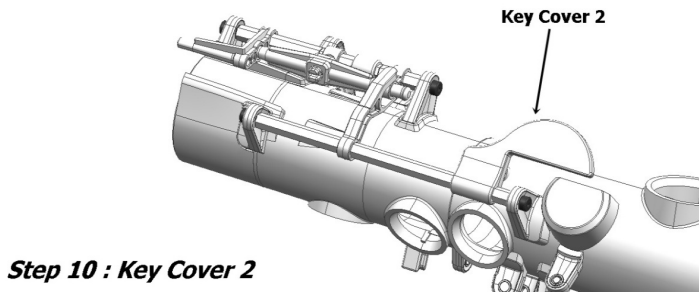
Use this axle to connecting inside the rod of cover 2.



Cover 2



Key : Cover 2



Cover 24

