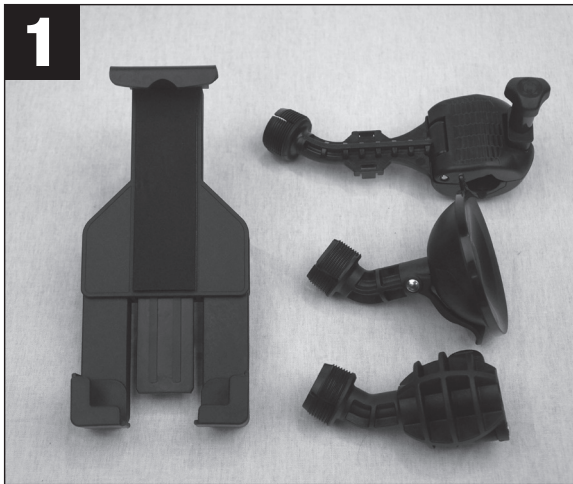
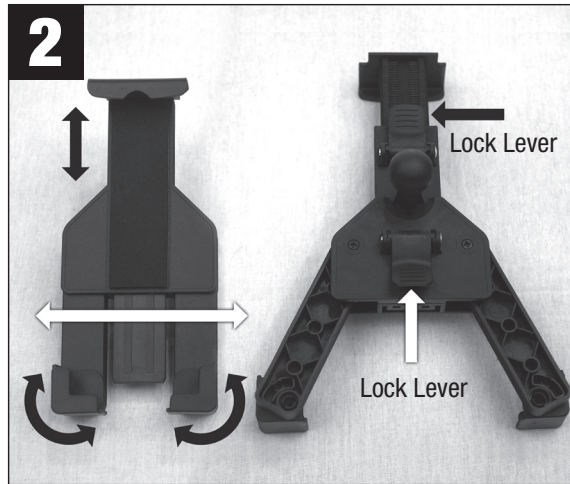


BENUTZER HANDBUCH TABLET HALTER DG305B

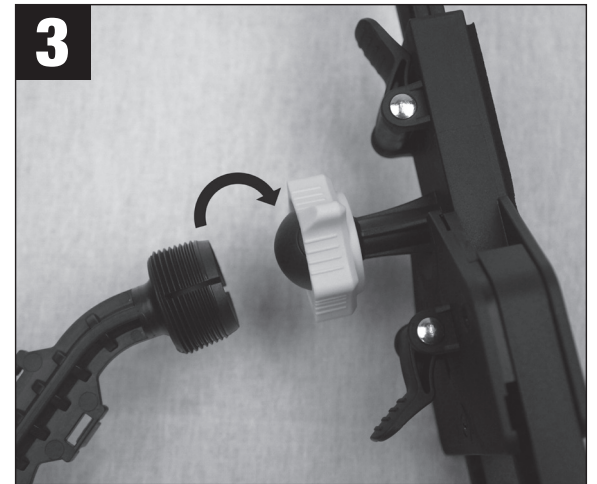


1



2

Easily adjust the 3-way adjustable holder to fit different-sized tablets.



3

Insert the ball joint into the socket of clamp, adaptor or suction cup.

Smart Clamp



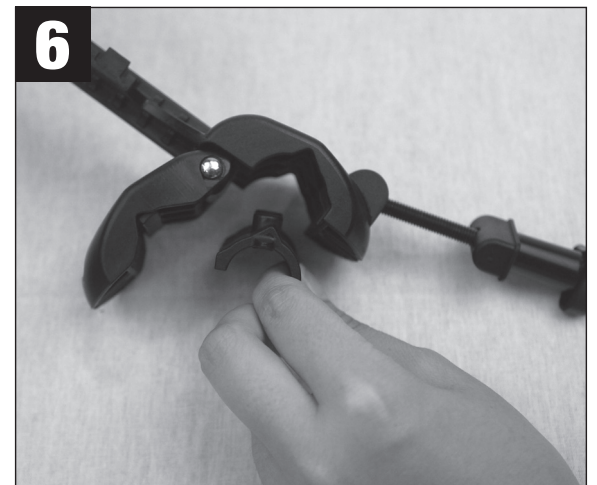
4

Adjust the holder to your desired position. Make sure to loosen the yellow ring before adjusting the angle. Likewise, always tighten the ring after adjusting.



5

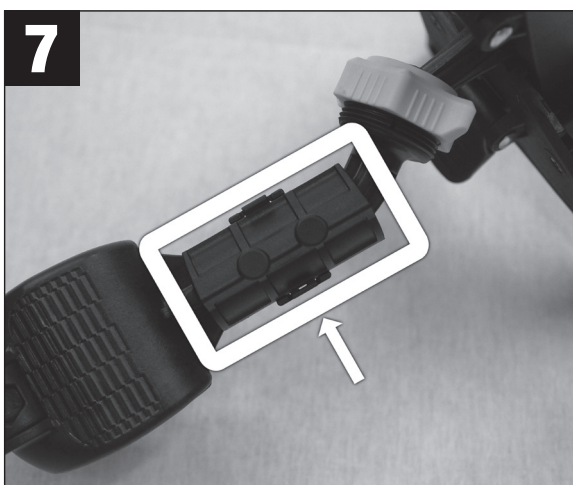
Open the clamp by loosening the knob, clip the clamp onto the stand, and place the tightening cube in its slot to tighten the knob.



6

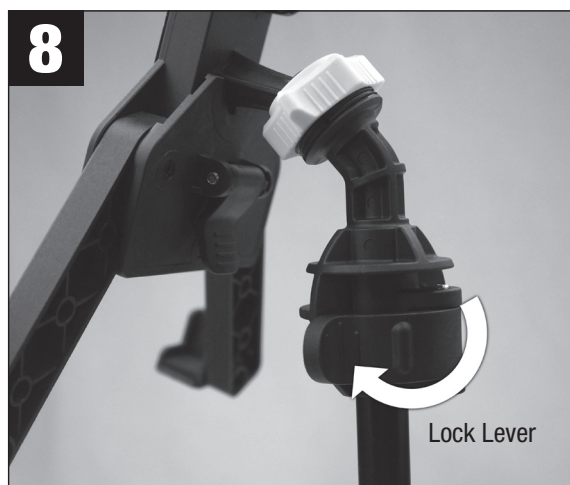
Attach or remove the shim part to fit different-sized tubes.

EZ Adapter



7

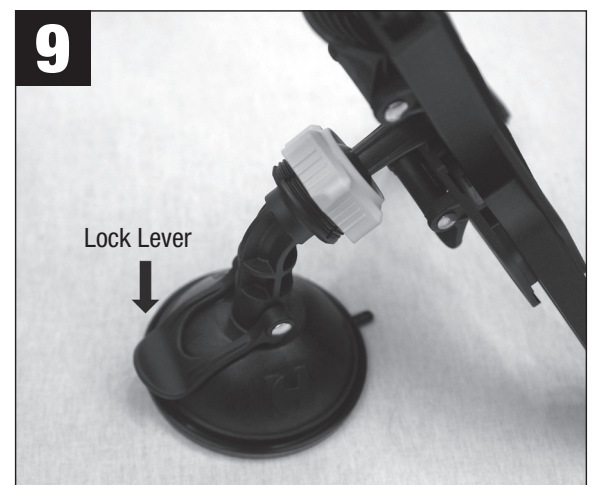
Store the shim part at the arm of the clamp when it's not in use.



8

Lock Lever

Suction Cup



9

Lock Lever

CAUTION

This suction cup is specially designed to be used on nonporous flat and horizontal surface only.